

**SPICER<sup>®</sup>**



# Spicer<sup>®</sup> Heavy Duty Commercial Vehicle Series Driveshafts



# Spicer® – Demand the Best. Demand Genuine Spicer.

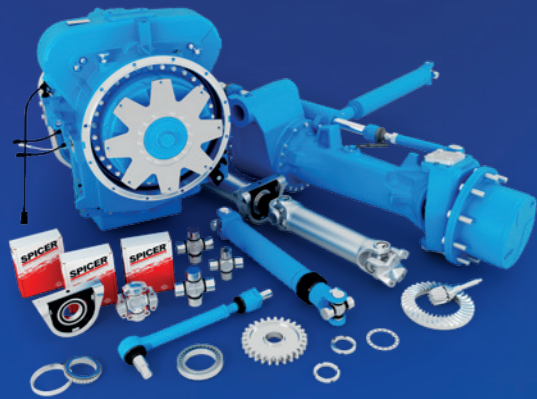
For more than a century, the Spicer® name has built a legacy of success with quality drivetrain solutions. Genuine Spicer products are manufactured to the same high standards as Original Equipment because in most cases, they are OE parts. We offer a variety of drivetrain solutions and service parts for light vehicle, commercial vehicle, off-highway, military, industrial, and performance applications.

## Aftermarket Products

Dana manufactures Spicer driveshafts, axles, transmission parts, and related components for light-vehicle, commercial vehicle, off-highway, military, industrial, and performance applications. This product line includes driveshafts formerly branded as **GWB™** and **Italcardan™** while legacy axle/ transmission marques include **Clark™**, **Clark Hurth™**, **Comaxle™**, **Sige**, and **Kirkstall™**.

### Market Applications:

- Light Vehicle
  - Passenger Cars / SUVs / Pickup Trucks / CUVs / Light Commercial Vehicles
- Commercial Vehicle
  - Medium and Heavy Trucks / Buses
- Off-Highway
  - Construction / Agricultural / Forestry / Mining / Material Handling / Industrial



### Online Catalog

[DanaAftermarket.com](http://DanaAftermarket.com)



### Literature Library

[SpicerParts.com/en-emea/literature-library](http://SpicerParts.com/en-emea/literature-library)



### Service Center Network

[SpicerParts.com/en-emea/servicecenters](http://SpicerParts.com/en-emea/servicecenters)



### Facebook

[www.facebook.com/SpicerPartsEMEA](http://www.facebook.com/SpicerPartsEMEA)



### YouTube

[www.youtube.com/@spiceremea7744](http://www.youtube.com/@spiceremea7744)



### LinkedIn

[www.linkedin.com/showcase/spicer-emea](http://www.linkedin.com/showcase/spicer-emea)

# Heavy Duty Driveshafts

Every original Spicer® driveshaft is designed, engineered, and manufactured by Dana to the highest standards of quality and performance expected by original equipment (OE) manufacturers – because Spicer is THE original equipment manufacturer. Spicer driveshafts provide the top performance, reliability and durability of OE products, in a robust, cost-effective, virtually maintenance-free aftermarket solution.

As the global leader in driveline technology, Dana combines its commitment to innovation and original equipment excellence with the quality of its Spicer products to deliver superior solutions that are driving the aftermarket industry.

### Spicer Product Line:

#### Driveshafts

- Complete driveshafts
- Driveshaft components
  - U-joints
  - Flanges
  - Tube yokes
  - Center bearings
  - Tubes
  - Tight joints
  - Slip joints
- Midship shafts
- Centered double joints
- Spicer ReadyShaft™ program

#### Axles

- Single reduction/non-drive axles
- Independent carriers
- Agricultural planetary axles
- Industrial planetary axles
- Portal axles
- Differentials
- Ring and pinions
- Gearing
- Wheel Ends
- Axle shafts

#### Transmissions

- Powershift Transmissions
- Hydrostatic Transmissions
- Mechanical Transmissions
- Transfer Cases
- Torque Converters
- Electronic controls



[DanaAftermarket.com](http://DanaAftermarket.com)

# Spicer Materials Suitable For Scania Applications

Dana has a long history of supplying Spicer driveshafts for Scania heavy-duty commercial vehicles as an original equipment manufacturer, using specialized equipment and proprietary manufacturing processes including friction welding to meet the unique needs of Scania vehicles.

Spicer driveshaft components were also adapted for Scania's aftermarket replacement needs, utilizing MIG/MAG welding for universal fabrication, scalability and production, while keeping the original equipment properties, dimensions, and quality of the driveshaft components intact.

Spicer original driveshaft components are now available for virtually every Scania model currently in production, and to service all of Scania's original equipment and aftermarket vehicle needs.

Select your Spicer for Scania replacement driveshaft components – or build your own driveshaft from Spicer components. Components to build Spicer driveshafts for Scania – from the U-joints to the tube and more – are now available for the aftermarket.

Select the Spicer original driveshaft components you need, or build your own OE driveshaft from 100% Spicer original parts. Visit the Spicer website at [www.SpicerParts.com](http://www.SpicerParts.com), select your components, and start building your complete Spicer driveshaft package.

See the next page for a complete list of Dana Spicer driveshaft components for Scania Heavy Duty Commercial Vehicles. All Spicer products are shipped from Dana's European Distribution Center in Győr, Hungary.

To stay up-to-date on Spicer products and news, subscribe to our newsletter [SpicerNews.com](http://SpicerNews.com).



Check out more [DanaAftermarket.com](http://DanaAftermarket.com)

Spicer Part Number	All Series
1	F-10001-00 Nut
2	B-10005-00 Center Bearing Assembly
3	C-10003-00 Outer Flinger

Spicer Part Number	Suitable for Scania P300
4	U-10058-00 U-Joint - Service Free
4	U-10058-20 U-Joint with bolts - Service Free
4	U-10059-00 U-Joint - Lube
4	U-10059-20 U-Joint with bolts - Lube
6	G-10007-20 Tube yoke - MIG/MAG
10	H-10010-00 End Yoke
10	H-10010-10 End Yoke with bolts
7	M-10009-20 Midship stub shaft - MIG/MAG
8	S-10016-20 Slip Joint w/o U-Joint - MIG/MAG
9	T-10081-00 Tube - 89 X 4 mm

Spicer Part Number	Suitable for Scania P400
4	U-10060-00 U-Joint - Service Free
4	U-10060-20 U-Joint with bolts - Service Free
4	U-10061-00 U-Joint - Lube
4	U-10061-20 U-Joint with bolts - Lube
6	G-10001-20 Tube yoke - MIG/MAG
10	H-10001-00 End Yoke
10	H-10001-10 End Yoke with bolts
7	M-10006-20 Midship stub shaft - MIG/MAG
8	S-10006-20 Slip Joint w/o U-Joint - MIG/MAG
9	T-10079-00 Tube - 100 X 4,75 mm

Spicer Part Number	Suitable for Scania P420
4	U-10060-00 U-Joint - Service Free
4	U-10060-20 U-Joint with bolts - Service Free
4	U-10061-00 U-Joint - Lube
4	U-10061-20 U-Joint with bolts - Lube
6	G-10008-20 Tube yoke - MIG/MAG
8	S-10018-20 Slip Joint w/o U-Joint - MIG/MAG
9	T-10062-00 Tube - 91 X 4,5 mm

Spicer Part Number	Suitable for Scania P500
4	U-10062-00 U-Joint - Service Free
4	U-10062-20 U-Joint with bolts - Service Free
4	U-10063-00 U-Joint - Lube
4	U-10063-20 U-Joint with bolts - Lube
6	G-10002-20 Tube yoke - MIG/MAG
10	H-10003-00 End Yoke
10	H-10003-10 End Yoke with bolts
7	M-10007-20 Midship stub shaft - MIG/MAG
8	S-10009-20 Slip Joint w/o U-Joint - MIG/MAG
9	T-10080-00 Tube - 108 X 5,5 mm

Spicer Part Number	Suitable for Scania P520
4	U-10062-00 U-Joint - Service Free
4	U-10062-20 U-Joint with bolts - Service Free
4	U-10063-00 U-Joint - Lube
4	U-10063-20 U-Joint with bolts - Lube
6	G-10009-20 Tube yoke - MIG/MAG
8	S-10019-20 Slip Joint w/o U-Joint - MIG/MAG
9	T-10062-00 Tube - 91 X 4,5 mm

Spicer Part Number	Suitable for Scania P600
5	U-10064-00 U-Joint - Service Free
5	U-10065-00 U-Joint - Lube
10	E-10001-00 XS Flange Yoke
6	G-10004-20 Tube yoke - MIG/MAG
10	H-10005-00 End Yoke
10	H-10005-10 End Yoke with bolts and plated
10	H-10006-00 Companion Flange
7	M-10008-20 Midship stub shaft - MIG/MAG
8	S-10012-20 Slip Joint w/o U-Joint - MIG/MAG
9	T-10055-00 Tube - 114,3 X 5,5 mm

# Spicer Driveshafts For Mercedes 385.60-Series

## Spicer® Relaunches Driveshafts for Mercedes-Benz Trucks

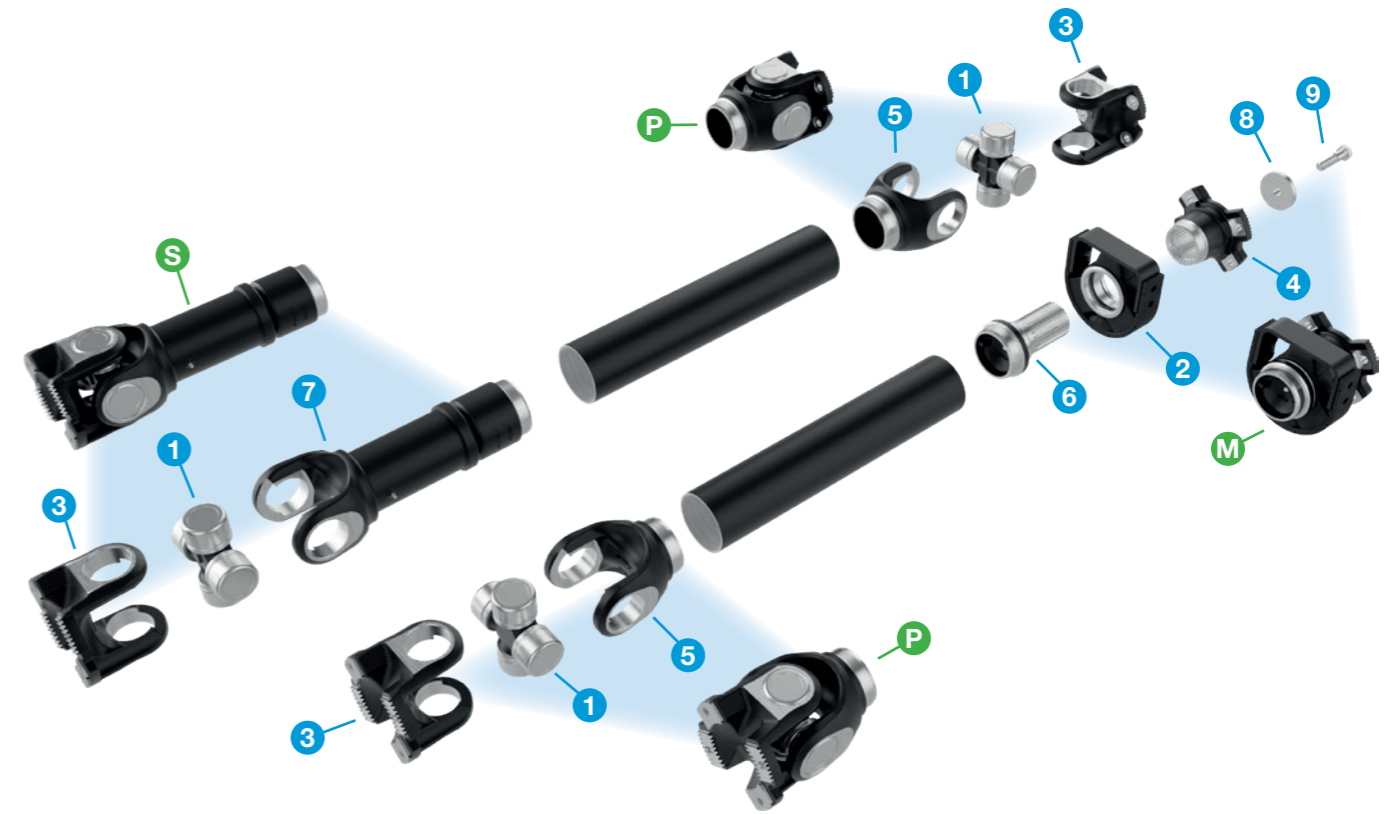
For decades, Dana has been the original-equipment (OE) supplier of driveshafts for Mercedes-Benz heavy-duty commercial vehicles. After seeing increased demand for an OE quality version of the Mercedes-Benz driveshafts, Dana has decided to leverage its strong history with the platform and reactivate its 385.60 series driveshafts to support commercial truck customers.

Using state-of-the-art equipment, proprietary manufacturing processes, the newest technical specifications, and delivering the desired OE quality that Dana is known for, the company is offering both 100% Spicer original parts and components that make up the driveshaft and the finished OE-quality driveshafts.

With its robust and trusted engineering skills and expertise, Dana is producing and selling the complete range of ISR-technology-based components, and offering customers the option to purchase subassemblies to alleviate assembly activities and the complete shaft themselves.

These new offerings are available from its European Distribution Center in Győr, Hungary. More so, the driveshafts are available via the Spicer ReadyShaft™ Program, which is aimed at driving commercial and off-highway vehicle uptime by conveniently providing next-day pickup of warranted, world-class Spicer driveshaft assemblies.

Complete materials related to the 385.60 series driveshafts are available on **TecDoc** and **DanaAftermarket.com**.



Check out more [DanaAftermarket.com](https://DanaAftermarket.com)

	Spicer Material	Description	Bearing Cup Ø [mm]	Span [mm]	Snap ring span [mm]	Retainer Type	U-Joint Type	Flange	Flange Height [mm]	No. of Holes	Holes Ø [mm]	Length [mm]	Movement [mm]	Suitable for tube with outer Ø: [mm]	Tube wall thickness [mm]	Remark	CB Ø [mm]	CB Width [mm]	CB Height [mm]	Bracket Holes Distance [mm]	Mounting Holes [mm]	Thread [mm]
1	7385600600240	U-Joint	68	166	89	ISR	Lube															
1	7385600600160	U-Joint	68	166	89	ISR	Service Free															
2	B-10029-00	Center Bearing Assembly															70	20	90.5	35.5	4 square nuts 19x19mm, M12x1.5	M12x1.5
3	E-10004-00	Flange Yoke XS				ISR		XS 180	97	4	15.1											
4	H-10015-00	Companion Flange XS						XS 180	101.5	4	15.1											
5	G-10021-00	Tube Yoke				ISR						115		110	6							
5	G-10022-00	Tube Yoke				ISR						115		140	5							
6	M-10033-00	Midship Stub Shaft										148		110	6							M20x1.5x75
6	M-10034-00	Midship Stub Shaft										155		140	5							M20x1.5x7
7	S-10111-00	Slip Joint XS				ISR	Lube					378	150	110	6	Greaser on cover tube.						
7	S-10112-00	Slip Joint XS				ISR	Lube					393	150	140	6	Greaser on cover tube.						
1	C-10258-00	Washer																				M20x1.5x75
9	F-10014-00	Bolt																				
S	S-10222-00	Slip Joint XS				ISR	Service Free	XS 180	97	4	15.1	475	150	140	5	Greaser on cover tube.						
S	S-10223-00	Slip Joint XS				ISR	Service Free	XS 180	97	4	15.1	490	150	110	6	Greaser on cover tube.						
M	M-10057-00	Midship Assembly XS						XS 180	101.5	4	15.1	250		110	6		70	20	90.5	35.5	4 square nuts 19x19, M12x1.5	
M	M-10058-00	Midship Assembly XS						XS 180	101.5	4	15.1	257		140	5		70	20	90.5	35.5	4 square nuts 19x19, M12x1.5	
P	P-10086-00	Fix Joint XS				ISR	Service Free	XS 180	97	4	15.1	212		110	6							
P	P-10085-00	Fix Joint XS				ISR	Service Free	XS 180	97	4	15.1	212		140	5							
P	P-10087-00	Fix Joint XS				ISR	Lube	XS 180	97	4	15.1	212		110	6							
P	P-10088-00	Fix Joint XS				ISR	Lube	XS 180	97	4	15.1	212		140	5							
S	S-10228-00	Slip Joint XS				ISR	Lube	XS 180	97	4	15.1	475	150	140	5	Greaser on cover tube.						
S	S-10229-00	Slip Joint XS				ISR	Lube	XS 180	97	4	15.1	490	150	110	6	Greaser on cover tube.						



# For Trucks And Buses From 8-60 Tonnes

## Spicer® Compact™ Plus



### Dana Brings its Reliable Spicer® Compact™ Series Plus Driveshafts to the Aftermarket

Leveraging its extensive expertise in driveshaft design, Dana introduces its Spicer® Compact™ Series Plus driveshafts to the aftermarket worldwide. Spicer Compact Series Plus driveshafts are the world's lightest steel driveshafts in their class, helping original-equipment manufacturers meet efficiency standards.

### Engineered to Reduce Weight and Extend Life

Designed to help commercial vehicles meet increasingly stringent global environmental regulations, this next-generation technology offers innovative engineering advancements that reduce weight by up to 10 percent and increase the life of the driveshaft by as much as 25 percent.

#### INCREASED SPLINE DIAMETER

Reduces axial sliding forces.



#### REINFORCED BEARING SEAL

Provides greater resistance against environmental contaminants and improves bearing life by up to 25%.

#### Superior Vehicle Efficiency, Performance, and Reliability

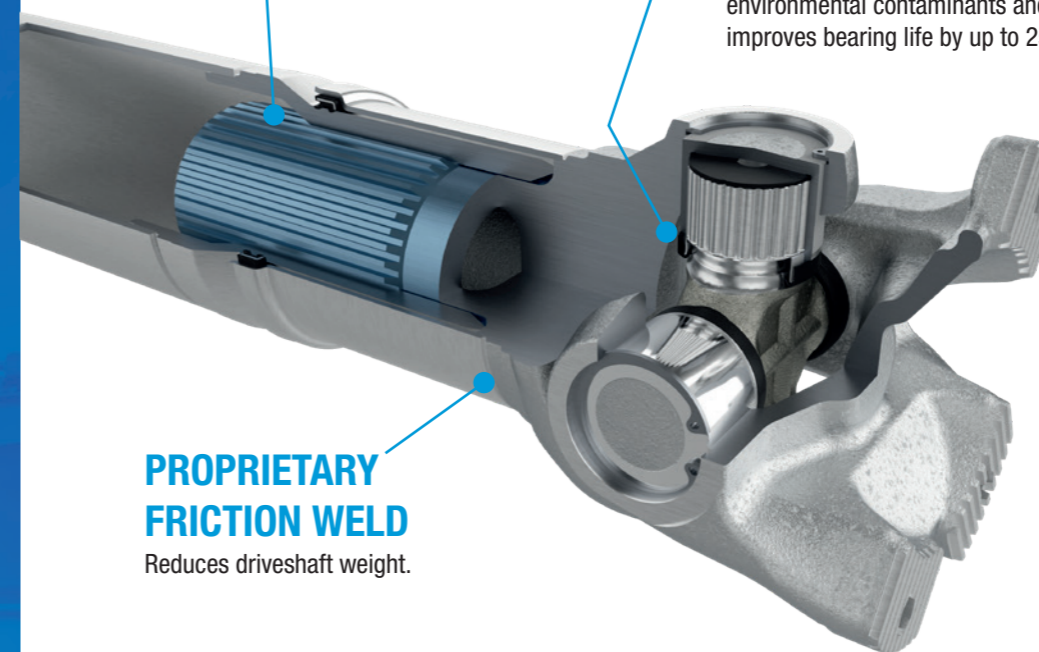
In addition to significant weight savings, Spicer® Compact™ Series Plus, the lightest steel driveshaft in its class, also enhances vehicle performance, offers extended product life, increases part durability, and improves sealing performance. A variety of new and existing processes are used to design and manufacture this family of driveshafts, creating an optimized system, unlike other products currently available in the market.

Product features include:

- Upgraded sealing package for 25% greater durability
- Lightweight slip member reduces sliding force for improved noise, vibration, and harshness (NVH) and less component wear
- Advanced tubing design engineered with high strength material for reduced weight
- Optimized center bearing design with wider support ring and more reliable labyrinth seal for superior performance and reliability

#### PROPRIETARY FRICTION WELD

Reduces driveshaft weight.



Check out more [DanaAftermarket.com](http://DanaAftermarket.com)

Specifications	Spicer® Compact™ Series Plus Driveshaft					
	2040	2045	2047	2055	2060	2065
Functional Limit Torque (KNm)	14	17	19	25	30	35
Connection	XS 150	XS 180	XS 180	XS 180	XS 180	XS 180
Optional	XS 180	XS150	XS 150	-	-	-
Flange-ø (mm)	155	180	180	180	180	180
Max. Joint Angle (°)	27	44	27	44	27	27
Max. Rotation-ø (mm)	160	174	174	178	196	206
Standout (mm)	82	102	87	108	87	92
Compressed Length (mm)	550	695	582	730	582	619
Sliding Movement (mm)	110	180	110	180	110	110
Tube (mm)	119.4x2.7	99.2x4.1	118.8x3.4	108.2x4.1	118.2x4.1	118.4x5.2
Weight of 1m-Shaft (kg)	29.21	33.68	35.36	40.92	36.24	44.25
Weight of 1m-Tube (kg)	7.77	9.62	9.68	10.53	11.54	14.52
					128.4x5.2	140.2x5.1
					50.55	62.72
					15.8	16.99



Increase the performance of your commercial vehicle and reduce driveline weight with the Spicer® Compact™ Series Plus driveshaft.

To learn more visit [Dana.com/cv](http://Dana.com/cv)

Spicer PN (Part Number)	Descr.	Series	Bearing Cup (Ø mm)	Span (mm)	U-Joint (Type)	U-Joint (Grease)	Length (mm)	Slip (mm)	Max Angle	Flange Type	Holes	Holes (Ø mm)	Tube	Tube Dim [mm]	Mtg Holes (mm)	Mtg Dist [mm]	CB Height (mm)	CB width	CB (Ø mm)	Shore	Remark		
U-10074-00	U-Joint	COMPACT PLUS 2040	47.6	135.3	Service Free	XD	--	--	--	--	--	--	--	--	--	--	--	--	--	--	--	--	
U-10075-00	U-Joint	COMPACT PLUS 2040	47.6	135.3	Lube	STD	--	--	--	--	--	--	--	--	--	--	--	--	--	--	--	--	
U-10085-00	U-Joint	COMPACT PLUS 2040	47.6	135.3	Lube	STD	--	--	--	--	--	--	--	--	--	--	--	--	--	--	--	With cover on lubricator	
U-10096-00	U-Joint	COMPACT PLUS 2040	47.6	135.3	Lube	STD	--	--	--	--	--	--	--	--	--	--	--	--	--	--	--	1 Bearing Cup with lubricator	
U-10101-00	U-Joint	COMPACT PLUS 2040	47.6	135.3	Lube	STD	--	--	--	--	--	--	--	--	--	--	--	--	--	--	--	2 Bearing Cups with lubricator	
U-10106-00	U-Joint	COMPACT PLUS 2040	47.6	135.3	Lube	STD	--	--	--	--	--	--	--	--	--	--	--	--	--	--	--	4 Bearing Cups with lubricator	
U-10087-00	U-Joint	COMPACT PLUS 2045/47	52	147.3	Service Free	STD	--	--	--	--	--	--	--	--	--	--	--	--	--	--	--	--	
U-10088-00	U-Joint	COMPACT PLUS 2045/47	52	147.3	Service Free	XD	--	--	--	--	--	--	--	--	--	--	--	--	--	--	--	--	
U-10080-00	U-Joint	COMPACT PLUS 2045/47	52	147.3	Lube	STD	--	--	--	--	--	--	--	--	--	--	--	--	--	--	--	--	
U-10086-00	U-Joint	COMPACT PLUS 2045/47	52	147.3	Lube	STD	--	--	--	--	--	--	--	--	--	--	--	--	--	--	--	With cover on lubricator	
U-10097-00	U-Joint	COMPACT PLUS 2045/47	52	147.3	Lube	STD	--	--	--	--	--	--	--	--	--	--	--	--	--	--	--	1 Bearing Cup with lubricator	
U-10102-00	U-Joint	COMPACT PLUS 2045/47	52	147.3	Lube	STD	--	--	--	--	--	--	--	--	--	--	--	--	--	--	--	2 Bearing Cups with lubricator	
U-10107-00	U-Joint	COMPACT PLUS 2045/47	52	147.3	Lube	STD	--	--	--	--	--	--	--	--	--	--	--	--	--	--	--	4 Bearing Cups with lubricator	
U-10078-00	U-Joint	COMPACT PLUS 2055	57	152.4	Service Free	STD	--	--	--	--	--	--	--	--	--	--	--	--	--	--	--	--	
U-10081-00	U-Joint	COMPACT PLUS 2055	57	152.4	Service Free	XD	--	--	--	--	--	--	--	--	--	--	--	--	--	--	--	--	
U-10084-00	U-Joint	COMPACT PLUS 2055	57	152.4	Lube	STD	--	--	--	--	--	--	--	--	--	--	--	--	--	--	--	--	
U-10089-00	U-Joint	COMPACT PLUS 2055	57	152.4	Lube	STD	--	--	--	--	--	--	--	--	--	--	--	--	--	--	--	With cover on lubricator	
U-10098-00	U-Joint	COMPACT PLUS 2055	57	152.4	Lube	STD	--	--	--	--	--	--	--	--	--	--	--	--	--	--	--	1 Bearing Cup with lubricator	
U-10103-00	U-Joint	COMPACT PLUS 2055	57	152.4	Lube	STD	--	--	--	--	--	--	--	--	--	--	--	--	--	--	--	2 Bearing Cups with lubricator	
U-10108-00	U-Joint	COMPACT PLUS 2055	57	152.4	Lube	STD	--	--	--	--	--	--	--	--	--	--	--	--	--	--	--	4 Bearing Cups with lubricator	
U-10090-00	U-Joint	COMPACT PLUS 2060	59	167.8	Service Free	STD	--	--	--	--	--	--	--	--	--	--	--	--	--	--	--	--	
U-10091-00	U-Joint	COMPACT PLUS 2060	59	167.8	Service Free	XD	--	--	--	--	--	--	--	--	--	--	--	--	--	--	--	--	
U-10083-00	U-Joint	COMPACT PLUS 2060	59	167.8	Lube	STD	--	--	--	--	--	--	--	--	--	--	--	--	--	--	--	--	
U-10092-00	U-Joint	COMPACT PLUS 2060	59	167.8	Lube	STD	--	--	--	--	--	--	--	--	--	--	--	--	--	--	--	With cover on lubricator	
U-10099-00	U-Joint	COMPACT PLUS 2060	59	167.8	Lube	STD	--	--	--	--	--	--	--	--	--	--	--	--	--	--	--	1 Bearing Cup with lubricator	
U-10104-00	U-Joint	COMPACT PLUS 2060	59	167.8	Lube	STD	--	--	--	--	--	--	--	--	--	--	--	--	--	--	--	2 Bearing Cups with lubricator	
U-10109-00	U-Joint	COMPACT PLUS 2060	59	167.8	Lube	STD	--	--	--	--	--	--	--	--	--	--	--	--	--	--	--	4 Bearing Cups with lubricator	
U-10093-00	U-Joint	COMPACT PLUS 2065	65	172	Service Free	STD	--	--	--	--	--	--	--	--	--	--	--	--	--	--	--	--	
U-10095-00	U-Joint	COMPACT PLUS 2065	65	172	Service Free	XD	--	--	--	--	--	--	--	--	--	--	--	--	--	--	--	--	
U-10082-00	U-Joint	COMPACT PLUS 2065	65	172	Lube	STD	--	--	--	--	--	--	--	--	--	--	--	--	--	--	--	--	
U-10094-00	U-Joint	COMPACT PLUS 2065	65	172	Lube	STD	--	--	--	--	--	--	--	--	--	--	--	--	--	--	--	With cover on lubricator	
U-10100-00	U-Joint	COMPACT PLUS 2065	65	172	Lube	STD	--	--	--	--	--	--	--	--	--	--	--	--	--	--	--	1 Bearing Cup with lubricator	
U-10105-00	U-Joint	COMPACT PLUS 2065	65	172	Lube	STD	--	--	--	--	--	--	--	--	--	--	--	--	--	--	--	2 Bearing Cups with lubricator	
U-10110-00	U-Joint	COMPACT PLUS 2065	65	172	Lube	STD	--	--	--	--	--	--	--	--	--	--	--	--	--	--	--	4 Bearing Cups with lubricator	
S-10043-00	Slip Joint XS	COMPACT PLUS 2040	47.6	135.3	SF	STD	419	180	27°	XS 155	4	13	T-10083-00	99.2 x 4.1	--	--	--	--	--	--	--	--	
S-10025-00	Slip Joint XS	COMPACT PLUS 2040	47.6	135.3	SF	STD	327	110	27°	XS 180	4	15	T-10084-00	119.4 x 2.7	--	--	--	--	--	--	--	--	Slip joint with LT grease
S-10038-00	Slip Joint XS	COMPACT PLUS 2040	47.6	135.3	SF	STD	439	180	44°	XS 155	4	13	T-10083-00	99.2 x 4.1	--	--	--	--	--	--	--	--	--
S-10026-00	Slip Joint XS	COMPACT PLUS 2040	47.6	135.3	SF	STD	332	110	27°	XS 155	4	13	T-10083-00	99.2 x 4.1	--	--	--	--	--	--	--	--	--
S-10027-00	Slip Joint XS	COMPACT PLUS 2040	47.6	135.3	SF	STD	332	110	27°	XS 180	4	15	T-10083-00	99.2 x 4.1	--	--	--	--	--	--	--	--	--
S-10044-00	Slip Joint XS	COMPACT PLUS 2040	47.6	135.3	SF	XD	327	110	27°	XS 155	4	13	T-10084-00	119.4 x 2.7	--	--	--	--	--	--	--	--	--
S-10030-00	Slip Joint XS	COMPACT PLUS 2040	47.6	135.3	SF	STD	327	110	27°	XS 180	4	15	T-10084-00	119.4 x 2.7	--	--	--	--	--	--	--	--	--

Spicer PN (Part Number)	Descr.	Series	Bearing Cup (Ø mm)	Span (mm)	U-Joint (Type)	U-Joint (Grease)	Length [mm]	Slip [mm]	Max Angle	Flange Type	Holes	Holes (Ø mm)	Tube	Tube Dim [mm]	Mtg Holes [mm]	Mtg Dist [mm]	CB Height [mm]	CB width	CB (Ø mm)	Shore	Remark
S-10023-00	Slip Joint SAE	COMPACT PLUS 2040	47.6	135.3	SF	STD	315,5	110	25°	SAE 1700	12	9.7	T-10084-00	119.4 x 2.7	--	--	--	--	--	--	--
S-10039-00	Slip Joint XS	COMPACT PLUS 2040	47.6	135.3	SF	STD	439	180	44°	XS 180	4	15	T-10083-00	99.2 x 4.1	--	--	--	--	--	--	--
S-10040-00	Slip Joint XS	COMPACT PLUS 2040	47.6	135.3	SF	STD	439	180	44°	XS 180	4	15	T-10083-00	99.2 x 4.1	--	--	--	--	--	--	Slip joint with LT grease
S-10045-00	Slip Joint XS	COMPACT PLUS 2040	47.6	135.3	SF	XD	332	110	27°	XS 155	4	13	T-10083-00	99.2 x 4.1	--	--	--	--	--	--	--
S-10041-00	Slip Joint XS	COMPACT PLUS 2040	47.6	135.3	RE	STD	439	180	44°	XS 180	4	15	T-10083-00	99.2 x 4.1	--	--	--	--	--	--	With grease on cover tube
S-10031-00	Slip Joint XS	COMPACT PLUS 2040	47.6	135.3	SF	STD	419	180	27°	XS 180	4	15	T-10083-00	99.2 x 4.1	--	--	--	--	--	--	--
S-10046-00	Slip Joint XS	COMPACT PLUS 2040	47.6	135.3	RE	STD	332	110	27°	XS 180	4	15	T-10083-00	99.2 x 4.1	--	--	--	--	--	--	--
S-10047-00	Slip Joint XS	COMPACT PLUS 2040	47.6	135.3	RE	STD	327	110	27°	XS 155	4	13	T-10084-00	119.4 x 2.7	--	--	--	--	--	--	--
S-10048-00	Slip Joint XS	COMPACT PLUS 2040	47.6	135.3	SF	STD	327	110	27°	XS 180	4	15	T-10084-00	119.4 x 2.7	--	--	--	--	--	--	With greaser with cover on cover tube, slip joint with LT grease
S-10020-00	Slip Joint DIN	COMPACT PLUS 2040	47.6	135.3	SF	STD	347	110	44°	DIN 150	8	12.1	T-10084-00	119.4 x 2.7	--	--	--	--	--	--	--
S-10032-00	Slip Joint XS	COMPACT PLUS 2040	47.6	135.3	SF	STD	327	110	27°	XS 155	4	13	T-10084-00	119.4 x 2.7	--	--	--	--	--	--	--
S-10028-00	Slip Joint XS	COMPACT PLUS 2045/47	52	147.3	SF	XD	360	110	27°	XS 155	4	13	T-10085-00	118.8 x 3.4	--	--	--	--	--	--	--
S-10033-00	Slip Joint XS	COMPACT PLUS 2045/47	52	147.3	SF	STD	347	110	27°	XS 180	4	15	T-10085-00	118.8 x 3.4	--	--	--	--	--	--	--
S-10049-00	Slip Joint XS	COMPACT PLUS 2045/47	52	147.3	SF	STD	461	180	44°	XS 180	4	15	T-10086-00	108.2 x 4.1	--	--	--	--	--	--	--
S-10034-00	Slip Joint XS	COMPACT PLUS 2045/47	52	147.3	SF	STD	360	110	41°	XS 155	4	13	T-10085-00	118.8 x 3.4	--	--	--	--	--	--	--
S-10050-00	Slip Joint XS	COMPACT PLUS 2045/47	52	147.3	SF	STD	453	180	41°	XS 155	4	13	T-10086-00	108.2 x 4.1	--	--	--	--	--	--	--
S-10029-00	Slip Joint XS	COMPACT PLUS 2045/47	52	147.3	SF	XD	347	110	27°	XS 180	4	15	T-10085-00	118.8 x 3.4	--	--	--	--	--	--	--
S-10042-00	Slip Joint XS	COMPACT PLUS 2045/47	52	147.3	SF	XD	453	180	41°	XS 155	4	13	T-10086-00	108.2 x 4.1	--	--	--	--	--	--	--
S-10051-00	Slip Joint XS	COMPACT PLUS 2045/47	52	147.3	RE	STD	347	110	27°	XS 180	4	15	T-10085-00	118.8 x 3.4	--	--	--	--	--	--	--
S-10052-00	Slip Joint XS	COMPACT PLUS 2045/47	52	147.3	RE	STD	360	110	41°	XS 155	4	13	T-10085-00	118.8 x 3.4	--	--	--	--	--	--	--
S-10021-00	Slip Joint DIN	COMPACT PLUS 2045/47	52	147.3	RE	STD	355	110	27°	DIN 180	8	14.1	T-10085-00	118.8 x 3.4	--	--	--	--	--	--	--
S-10053-00	Slip Joint XS	COMPACT PLUS 2045/47	52	147.3	RE	STD	347	110	27°	XS 180	4	15	T-10085-00	118.8 x 3.4	--	--	--	--	--	--	With grease on cover tube
S-10022-00	Slip Joint DIN	COMPACT PLUS 2045/47	52	147.3	SF	STD	355	110	27°	DIN 180	8	14.1	T-10085-00	118.8 x 3.4	--	--	--	--	--	--	--
S-10054-00	Slip Joint XS	COMPACT PLUS 2045/47	52	147.3	SF	STD	347	110	27°	XS 180	4	15	T-10090-00	118.2 x 4.1	--	--	--	--	--	--	--
S-10055-00	Slip Joint XS	COMPACT PLUS 2045/47	52	147.3	RE	STD	347	110	27°	XS 180	4	15	T-10090-00	118.2 x 4.1	--	--	--	--	--	--	--
S-10056-00	Slip Joint XS	COMPACT PLUS 2055	57	152.4	RE	STD	371	110	27°	XS 180	4	15	T-10087-00	118.4 x 5.2	--	--	--	--	--	--	--
S-10035-00	Slip Joint XS	COMPACT PLUS 2055	57	152.4	SF	STD	441	180	27°	XS 180	4	15	T-10087-00	118.4 x 5.2	--	--	--	--	--	--	Slip joint with LT grease
S-10057-00	Slip Joint XS	COMPACT PLUS 2055	57	152.4	SF	STD	441	180	27°	XS 180	4	15	T-10087-00	118.4 x 5.2	--	--	--	--	--	--	--
S-10036-00	Slip Joint XS	COMPACT PLUS 2055	57	152.4	SF	STD	371	110	27°	XS 180	4	15	T-10087-00	118.4 x 5.2	--	--	--	--	--	--	--
S-10037-00	Slip Joint XS	COMPACT PLUS 2060	59	167.8	SF	STD	378	110	30°	XS 180	4	15	T-10088-00	128.4 x 5.2	--	--	--	--	--	--	--
S-10058-00	Slip Joint XS	COMPACT PLUS 2060	59	167.8	RE	STD	378	110	30°	XS 180	4	15	T-10088-00	128.4 x 5.2	--	--	--	--	--	--	--
S-10059-00	Slip Joint XS	COMPACT PLUS 2060	59	167.8	SF	STD	448	180	30°	XS 180	4	15	T-10088-00	128.4 x 5.2	--	--	--	--	--	--	--
S-10060-00	Slip Joint XS	COMPACT PLUS 2065	65	172	SF	STD	406	110	27°	XS 180	4	15	T-10089-00	140.2 x 5.1	--	--	--	--	--	--	--
S-10061-00	Slip Joint XS	COMPACT PLUS 2065	65	172	RE	STD	406	110	27°	XS 180	4	15	T-10089-00	140.2 x 5.1	--	--	--	--	--	--	--
P-10016-00	Fixed Joint XS	COMPACT PLUS 2040	47.6	135.3	SF	STD	163	--	27°	XS 155	4	13	T-10084-00	119.4 x 2.7	--	--	--	--	--	--	--
P-10017-00	Fixed Joint XS	COMPACT PLUS 2040	47.6	135.3	SF	STD	163	--	27°	XS 180	4	15	T-10084-00	119.4 x 2.7	--	--	--	--	--	--	--
P-10018-00	Fixed Joint XS	COMPACT PLUS 2040	47.6	135.3	SF	STD	163	--	27°	XS 180	4	15	T-10085-00	118.8 x 3.4	--	--	--	--	--	--	--
P-10006-00	Fixed Joint XS	COMPACT PLUS 2040	47.6	135.3	SF	STD	163	--	27°	XS 155	4	13	T-10085-00	118.8 x 3.4	--	--	--	--	--	--	--
P-10027-00	Fixed Joint XS	COMPACT PLUS 2040	47.6	135.3	SF	STD	196	--	44°	XS 155	4	13	T-10083-00	99.2 x 4.1	--	--	--	--	--	--	--
P-10019-00	Fixed Joint XS	COMPACT PLUS 2040	47.6	135.3	SF	STD	176	--	27°	XS 155	4	13	T-10083-00	99.2 x 4.1	--	--	--	--	--	--	--
P-10028-00	Fixed Joint XS	COMPACT PLUS 2040	47.6	135.3	SF	XD	163	--	27°	XS 155	4	13	T-10084-00	119.4 x 2.7	--	--	--	--	--	--	--



Spicer PN (Part Number)	Descr.	Series	Bearing Cup (Ø mm)	Span (mm)	U-Joint (Type)	U-Joint (Grease)	Length (mm)	Slip (mm)	Max Angle	Flange Type	Holes	Holes (Ø mm)	Tube	Tube Dim [mm]	Mtg Holes (mm)	Mtg Dist [mm]	CB Height (mm)	CB width	CB (Ø mm)	Shore	Remark
P-10005-00	Fixed Joint SAE	COMPACT PLUS 2040	47.6	135.3	SF	STD	151,5	--	27°	SAE 1700	12	9.7	T-10084-00	119.4 x 2.7	--	--	--	--	--	--	--
P-10029-00	Fixed Joint XS	COMPACT PLUS 2040	47.6	135.3	RE	STD	196	--	44°	XS 180	4	15	T-10083-00	99.2 x 4.1	--	--	--	--	--	--	--
P-10030-00	Fixed Joint XS	COMPACT PLUS 2040	47.6	135.3	SF	XD	176	--	27°	XS 155	4	13	T-10083-00	99.2 x 4.1	--	--	--	--	--	--	--
P-10007-00	Fixed Joint XS	COMPACT PLUS 2040	47.6	135.3	RE	STD	163	--	27°	XS 155	4	13	T-10084-00	119.4 x 2.7	--	--	--	--	--	--	--
P-10031-00	Fixed Joint XS	COMPACT PLUS 2040	47.6	135.3	RE	STD	196	--	44°	XS 180	4	15	T-10083-00	99.2 x 4.1	--	--	--	--	--	--	--
P-10020-00	Fixed Joint XS	COMPACT PLUS 2040	47.6	135.3	SF	STD	176	--	27°	XS 180	4	15	T-10083-00	99.2 x 4.1	--	--	--	--	--	--	--
P-10008-00	Fixed Joint XS	COMPACT PLUS 2040	47.6	135.3	RE	STD	176	--	27°	XS 180	4	15	T-10083-00	99.2 x 4.1	--	--	--	--	--	--	--
P-10032-00	Fixed Joint XS	COMPACT PLUS 2040	47.6	135.3	SF	XD	163	--	27°	XS 180	4	15	T-10084-00	119.4 x 2.7	--	--	--	--	--	--	--
P-10033-00	Fixed Joint XS	COMPACT PLUS 2040	47.6	135.3	RE	STD	163	--	27°	XS 155	4	13	T-10084-00	119.4 x 2.7	--	--	--	--	--	--	U-Joint with greaser with covers on u-joint
P-10001-00	Fixed Joint DIN	COMPACT PLUS 2040	47.6	135.3	SF	STD	183	--	44°	DIN 150	8	12.1	T-10084-00	119.4 x 2.7	--	--	--	--	--	--	--
P-10002-00	Fixed Joint DIN	COMPACT PLUS 2040	47.6	135.3	SF	STD	183	--	44°	DIN 180	10	16.1	T-10084-00	119.4 x 2.7	--	--	--	--	--	--	--
P-10034-00	Fixed Joint XS	COMPACT PLUS 2045/47	52	147.3	SF	STD	201	--	41°	XS 155	4	13	T-10086-00	108.2 x 4.1	--	--	--	--	--	--	--
P-10035-00	Fixed Joint XS	COMPACT PLUS 2045/47	52	147.3	SF	XD	188	--	27°	XS 155	4	13	T-10085-00	118.8 x 3.4	--	--	--	--	--	--	--
P-10021-00	Fixed Joint XS	COMPACT PLUS 2045/47	52	147.3	SF	STD	188	--	27°	XS 155	4	13	T-10085-00	118.8 x 3.4	--	--	--	--	--	--	--
P-10036-00	Fixed Joint XS	COMPACT PLUS 2045/47	52	147.3	SF	XD	175	--	27°	XS 180	4	15	T-10085-00	118.8 x 3.4	--	--	--	--	--	--	--
P-10037-00	Fixed Joint XS	COMPACT PLUS 2045/47	52	147.3	SF	XD	201	--	41°	XS 155	4	13	T-10086-00	108.2 x 4.1	--	--	--	--	--	--	--
P-10009-00	Fixed Joint XS	COMPACT PLUS 2045/47	52	147.3	RE	STD	175	--	27°	XS 180	4	15	T-10085-00	118.8 x 3.4	--	--	--	--	--	--	--
P-10003-00	Fixed Joint DIN	COMPACT PLUS 2045/47	52	147.3	RE	STD	183	--	27°	DIN 180	8	14.1	T-10085-00	118.8 x 3.4	--	--	--	--	--	--	--
P-10004-00	Fixed Joint DIN	COMPACT PLUS 2045/47	52	147.3	SF	STD	183	--	27°	DIN 180	10	16.1	T-10085-00	118.8 x 3.4	--	--	--	--	--	--	--
P-10022-00	Fixed Joint XS	COMPACT PLUS 2045/47	52	147.3	SF	STD	175	--	27°	XS 180	4	15	T-10085-00	118.8 x 3.4	--	--	--	--	--	--	--
P-10010-00	Fixed Joint XS	COMPACT PLUS 2045/47	52	147.3	SF	STD	175	--	27°	XS 180	4	15	T-10090-00	118.2 x 4.1	--	--	--	--	--	--	--
S-10100-00	Slip Joint XS	COMPACT PLUS 2055	57	152.4	SF	XD	371	110	27°	XS 180	4	15	T-10087-00	118.4 x 5.2	--	--	--	--	--	--	--
P-10023-00	Fixed Joint XS	COMPACT PLUS 2055	57	152.4	SF	XD	188	--	27°	XS 180	4	15	T-10087-00	118.4 x 5.2	--	--	--	--	--	--	--
P-10011-00	Fixed Joint XS	COMPACT PLUS 2055	57	152.4	RE	STD	188	--	27°	XS 180	4	15	T-10087-00	118.4 x 5.2	--	--	--	--	--	--	--
P-10024-00	Fixed Joint XS	COMPACT PLUS 2055	57	152.4	SF	STD	188	--	27°	XS 180	4	15	T-10087-00	118.4 x 5.2	--	--	--	--	--	--	--
S-10101-00	Slip Joint XS	COMPACT PLUS 2060	59	167.8	SF	XD	378	110	30°	XS 180	4	15	T-10088-00	128.4 x 5.2	--	--	--	--	--	--	--
P-10025-00	Fixed Joint XS	COMPACT PLUS 2060	59	167.8	SF	STD	203	--	30°	XS 180	4	15	T-10088-00	128.4 x 5.2	--	--	--	--	--	--	--
P-10026-00	Fixed Joint XS	COMPACT PLUS 2060	59	167.8	SF	XD	203	--	30°	XS 180	4	15	T-10088-00	128.4 x 5.2	--	--	--	--	--	--	--
P-10012-00	Fixed Joint XS	COMPACT PLUS 2060	59	167.8	RE	STD	203	--	30°	XS 180	4	15	T-10088-00	128.4 x 5.2	--	--	--	--	--	--	--
S-10102-00	Slip Joint XS	COMPACT PLUS 2065	65	172	SF	XD	406	110	27°	XS 180	4	15	T-10089-00	140.2 x 5.1	--	--	--	--	--	--	--
P-10013-00	Fixed Joint XS	COMPACT PLUS 2065	65	172	SF	STD	211	--	27°	XS 180	4	15	T-10089-00	140.2 x 5.1	--	--	--	--	--	--	--
P-10014-00	Fixed Joint XS	COMPACT PLUS 2065	65	172	SF	XD	211	--	27°	XS 180	4	15	T-10089-00	140.2 x 5.1	--	--	--	--	--	--	--
P-10015-00	Fixed Joint XS	COMPACT PLUS 2065	65	172	RE	STD	211	--	27°	XS 180	4	15	T-10089-00	140.2 x 5.1	--	--	--	--	--	--	--
M-10019-00	Midship Assembly XS	COMPACT PLUS 2040	--	--	--	--	136	--	--	XS 155	4	13	T-10084-00	119.4 x 2.7	15 x 15	220	90	--	--	--	Fitted with center bearing B-10022-00
M-10020-00	Midship Assembly XS	COMPACT PLUS 2045/47	--	--	--	--	136	--	--	XS 155	4	13	T-10085-00	118.8 x 3.4	15 x 15	220	90	--	--	--	Fitted with center bearing B-10022-00
M-10021-00	Midship Assembly XS	COMPACT PLUS 2040	--	--	--	--	136	--	--	XS 180	4	15	T-10084-00	119.4 x 2.7	15 x 15	220	90	--	--	--	Fitted with center bearing B-10022-00
M-10022-00	Midship Assembly XS	COMPACT PLUS 2045/47	--	--	--	--	136	--	--	XS 180	4	15	T-10085-00	118.8 x 3.4	15 x 15	220	90	--	--	--	Fitted with center bearing B-10022-00
M-10023-00	Midship Assembly XS	COMPACT PLUS 2055	--	--	--	--	162	--	--	XS 180	4	15	T-10087-00	118.4 x 5.2	15 x 15	220	90	--	--	--	Fitted with center bearing B-10015-00
M-10024-00	Midship Assembly XS	COMPACT PLUS 2060	--	--	--	--	162	--	--	XS 180	4	15	T-10088-00	128.4 x 5.2	15 x 15	220	90	--	--	--	Fitted with center bearing B-10015-00

Spicer PN (Part Number)	Descr.	Series	Bearing Cup (Ø mm)	Span (mm)	U-Joint (Type)	U-Joint (Grease)	Length [mm]	Slip [mm]	Max Angle	Flange Type	Holes	Holes (Ø mm)	Tube	Tube Dim [mm]	Mtg Holes [mm]	Mtg Dist [mm]	CB Height [mm]	CB width	CB (Ø mm)	Shore	Remark	
M-10025-00	Midship Assembly XS	COMPACT PLUS 2065	--	--	--	--	162	--	--	XS 180	4	15	T-10089-00	140.2 x 5.1	15 x 15	220	90	--	--	--	Fitted with center bearing B-10015-00	
M-10026-00	Midship Assembly XS	COMPACT PLUS 2065	--	--	--	--	143,5	--	--	XS 180	4	15	T-10089-00	140.2 x 5.1	22	203	79.4	--	--	--	Fitted with center bearing 1000008707013	
T-10083-00	Tube	COMPACT PLUS 2040	--	--	--	--	--	--	--	--	--	--	--	99.2 x 4.1	--	--	--	--	--	--	--	--
T-10084-00	Tube	COMPACT PLUS 2040	--	--	--	--	--	--	--	--	--	--	--	119.4 x 2.7	--	--	--	--	--	--	--	--
T-10085-00	Tube	COMPACT PLUS 2045/47	--	--	--	--	--	--	--	--	--	--	--	118.8 x 3.4	--	--	--	--	--	--	--	--
T-10086-00	Tube	COMPACT PLUS 2045/47	--	--	--	--	--	--	--	--	--	--	--	108.2 x 4.1	--	--	--	--	--	--	--	--
T-10087-00	Tube	COMPACT PLUS 2055	--	--	--	--	--	--	--	--	--	--	--	118.4 x 5.2	--	--	--	--	--	--	--	--
T-10088-00	Tube	COMPACT PLUS 2060	--	--	--	--	--	--	--	--	--	--	--	128.4 x 5.2	--	--	--	--	--	--	--	--
T-10089-00	Tube	COMPACT PLUS 2065	--	--	--	--	--	--	--	--	--	--	--	140.2 x 5.1	--	--	--	--	--	--	--	--
T-10090-00	Tube	COMPACT PLUS 2045/47	--	--	--	--	--	--	--	--	--	--	--	118.2 x 4.1	--	--	--	--	--	--	--	--
B-10022-00	CB Assembly	COMPACT PLUS 2040, COMPACT PLUS 2045/47	--	--	--	--	--	--	--	--	--	--	--	--	15 x 15	220	90	22	55	84	--	--
B-10015-00	CB Assembly	COMPACT PLUS 2055, COMPACT PLUS 2060, COMPACT PLUS 2065	--	--	--	--	--	--	--	--	--	--	--	--	15 x 15	220	90	26	70	84	--	--
100000 8707013	CB Assembly	--	--	--	--	--	--	--	--	--	--	--	--	--	22	203	79.4	48.5	70	--	--	--
X-10070-00	CB Kit	COMPACT PLUS 2040, COMPACT PLUS 2045/47	--	--	--	--	--	--	--	--	--	--	--	--	15 x 15	220	90	26	75	84	--	Including glue and needle
X-10071-00	CB Kit	COMPACT PLUS 2055	--	--	--	--	--	--	--	--	--	--	--	--	15 x 15	220	90	26	85	84	--	Including glue and needle
X-10072-00	CB Kit	COMPACT PLUS 2055, COMPACT PLUS 2060, COMPACT PLUS 2065	--	--	--	--	--	--	--	--	--	--	--	--	15 x 15	220	90	26	70	84	--	B-10015-00 and bolts
A-10001-00	Sleeve Muff Assembly	COMPACT PLUS 2040	--	--	--	--	170	--	--	--	--	--	T-10084-00	119.4 x 2.7	15 x 15	220	90	--	--	--	--	Use boot 1000008401011
A-10002-00	Sleeve Muff Assembly	COMPACT PLUS 2045/47	--	--	--	--	179	--	--	--	--	--	T-10085-00	118.8 x 3.4	15 x 15	220	90	--	--	--	--	Use boot 1000008401011
A-10003-00	Sleeve Muff Assembly	COMPACT PLUS 2055	--	--	--	--	192	--	--	--	--	--	T-10087-00	118.4 x 5.2	15 x 15	220	90	--	--	--	--	Use boot 1000008401015
X-10067-00	MIS Yoke shaft kit	COMPACT PLUS 2040	47.6	135.3	SF	STD	--	110	27°	--	--	--	T-10084-00	119.4 x 2.7	--	--	--	--	--	--	--	Use boot 1000008401011
X-10068-00	MIS Yoke shaft kit	COMPACT PLUS 2045/47	52	147.3	SF	STD	--	110	27°	--	--	--	T-10085-00	118.8 x 3.4	--	--	--	--	--	--	--	Use boot 1000008401011
X-10069-00	MIS Yoke shaft kit	COMPACT PLUS 2055	57	152.4	SF	STD	--	110	27°	--	--	--	T-10087-00	118.4 x 5.2	--	--	--	--	--	--	--	Use boot 1000008401015

**Dana Aftermarket Group**  
Dana Investment GmbH  
Reinzstrasse 3-7  
89233 Neu-Ulm  
Germany  
SpicerParts.com

**SPICER<sup>®</sup>**

---

